

TIMKEN**The Timken Company**

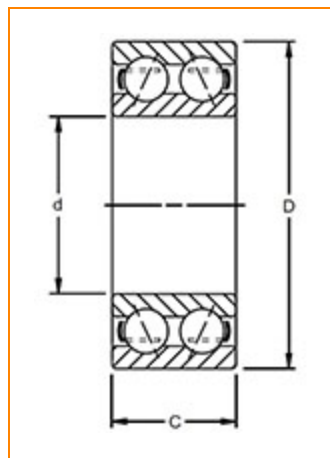
4500 Mt Pleasant St. NW

N. Canton, OH 44720

Phone: (234) 262-3000

E-Mail: CustomerCAD@timken.com • Web site: www.timken.com

Part Number 3212 AJ, Timken® Double Row Angular Contact Ball Bearings (3200, 3300)


[Dimensions](#) | [Specifications](#) | [Basic Load Ratings](#) | [Abutment and Fillet Dimensions](#)

Dimensions

d - Bore	60.00 mm 2.3622 in
D - Outer Diameter	110.00 mm 4.3307 in
C - Ring Width	36.5 mm 1.4370 in
Contact Angle	30 °

Specifications

Features	Open
Ball Type	STEEL
Mounting Type	Pressed



Cage Material	Steel
Bearing Weight	1.38 Kg 3.045 lb
Design Units	METRIC

Basic Load Ratings

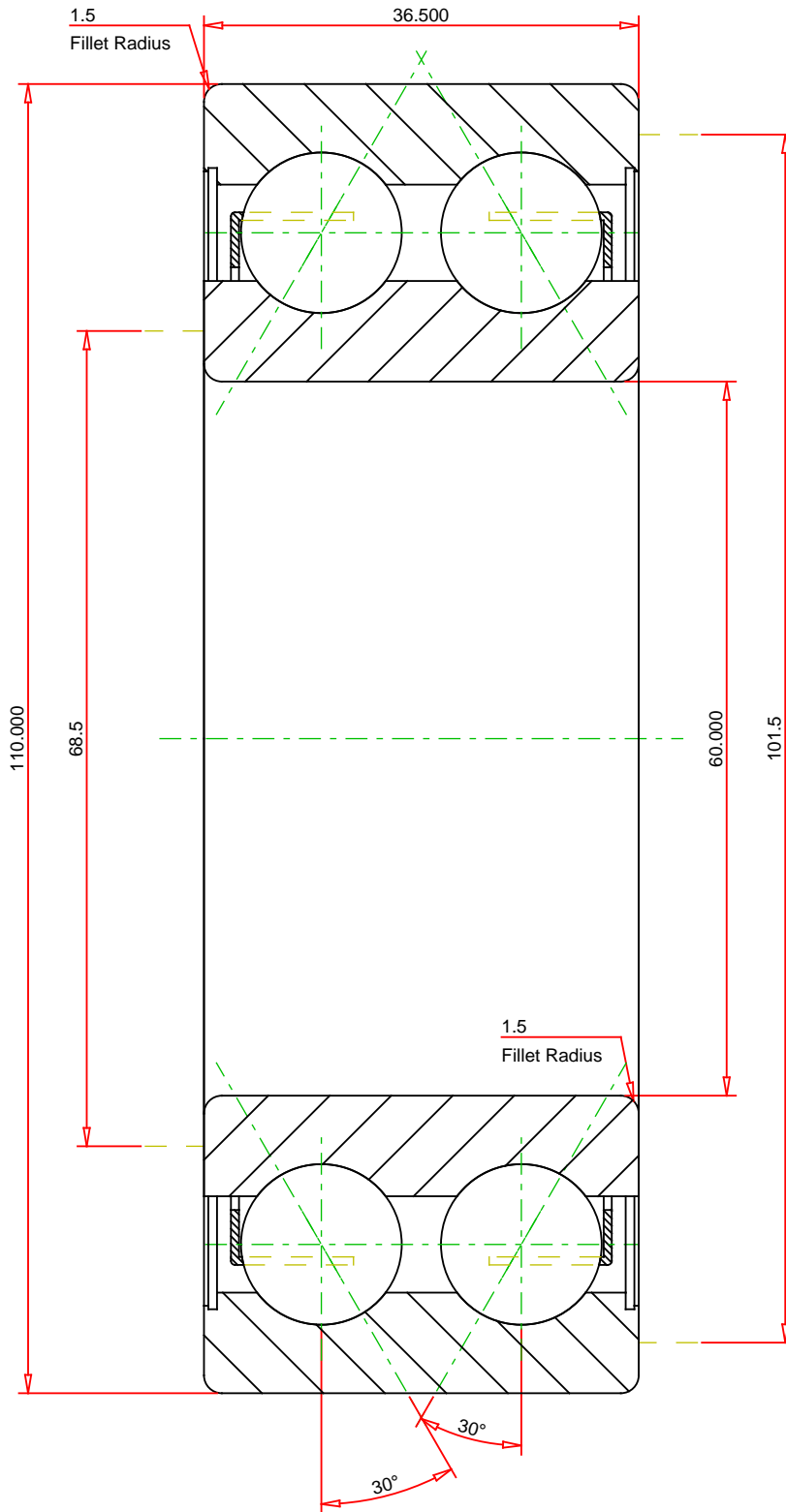
C0 - Static Radial Rating	53600 N 12047 lbf
C1 ISO - Dynamic Radial Rating	59900 N 13463 lbf

Abutment and Fillet Dimensions

R - Inner Ring "To Clear" Radius ¹	1.50 mm 0.059 in
r - Outer Ring "To Clear" Radius ²	1.50 mm 0.059 in
da - Inner Ring Backing Diameter	68.5 mm 2.697 in
Da - Outer Ring Backing Diameter	101.5 mm 3.996 in

¹ Maximum housing fillet radius that bearing corners will clear.

² Maximum shaft fillet radius that bearing corners will clear.



METRIC UNITS

Number of Balls Per Row 22
 Bearing Weight 1.380 kg

TIMKEN®

3212 AJ
 Timken® Double Row Angular Contact Ball Bearings
 (3200, 3300)

THE TIMKEN COMPANY
 NORTH CANTON, OHIO USA

Dynamic Load Rating 59900 N
 Static Load Rating 53600 N

Every reasonable effort has been made to ensure the accuracy of the information contained in this writing, but no liability is accepted for errors, omissions or for any other reason.

FOR DISCUSSION ONLY